

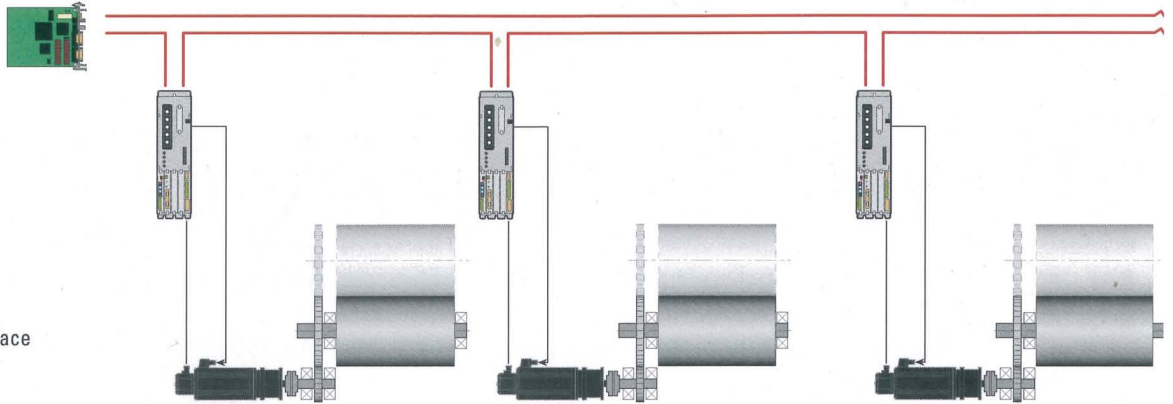
# SDS 5.0

ENGINEERED  
FOR RELIABILITY

▲ There's much ado about narrow web press shaftless technology: simplified gear train and mechanical design, elimination of the auxiliary drive motor, ease of configuration and integration of auxiliary units and specialty stations. ▲ All of these features contribute to reduced make-ready times, increased productivity and profitability – requirements that are mission critical to be successful in today's competitive marketplace. ▲ What is often overlooked with shaftless technology is the quality of the press itself: print quality, register, tension control, optimum speed – all of which can defeat the benefits and gains of shaftless technology. ▲ RDP Marathon takes its name from the quality of its products: Reliability. Durability. Precision. ▲ The standard of RDP engineering is maintained through the manufacturing: in robust construction, meticulous machining, and attention to detail during assembly and testing. ▲ The success of RDP presses can be measured by the reputation earned for high performance, reliable running, and quality production, and the new RDP SDS 5.0 shaftless press lives up to everything you would expect from an RDP press. ▲



## ELECTRONIC LINE SHAFTING LAUNCHES NEW ERA IN PRINTING



\*SERCOS interface, Internationally-standardized digital interface (IEC-1491) which ensures problem-free operation between digital drives.

■ **Mechanical synchronization: *The Old Way.*** Mechanical line shaft machines are certainly rugged and reliable. But too inflexible to meet today's competitive product demands. ■ **Electronic synchronization: *The Productive Way.*** With Indramat's SYNAX electronic control, mechanical drive elements are replaced with high-performance digital servo drives for precise control of each station. Then, all printing operations are electronically synchronized via the SERCOS\* digital drive interface. A single daisy-chained fiber-optic cable connects all drives in a ring to the control. ■ **Maximum print quality is achieved:** SYNAX eliminates the negative effects of torsion elasticity and gear backlash on the print quality. Disturbances at individual units, such as folders or die cutters, are not transmitted to the printing units because the electronic line shaft transmits no force or torque... only data. The position control in the drives achieves maximum synchronization accuracy with angular deviations of less than  $0.005^\circ$ . ■

### ENGINEERED FOR THE LONG RUN

■ RDP Marathon specializes in technical and custom engineering solutions utilizing combination print processes including litho, flexo, gravure, waterless and screen printing for quality web printers. ■ RDP Marathon is committed to meeting its customers' needs in both traditional and innovative product areas. In response to customers' present and future competitive challenges, RDP Marathon offers a wide range of capabilities supported by the creative thinking that enhances customer productivity. The RDP family of presses provide printers with the ability to serve existing markets while exploring rapidly emerging value-added segments. ■ The standard of excellence established by RDP engineering is maintained in the manufacturing process of all of its presses, so that the high quality printer is assured of reliability, durability, and precision. RDP Marathon will settle for no less than complete customer satisfaction with every product and service provided — from customization, through installation, to after-sale support.. ■

### RDP Marathon Inc.

2583 Chomedey Blvd., Laval (Montreal), Quebec, H7T 2R2 Canada

Tel.: 450 687-7262 ■ Fax: 450 687-2558

email: sales@rdpmarathon.com ■ web site: www.rdpmarathon.com

**RDP**  
MARATHON inc.

